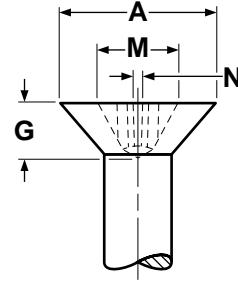
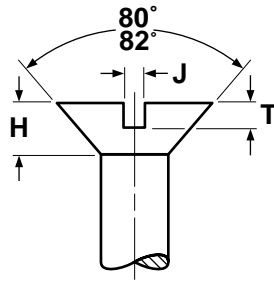


# Flat & Oval

# Head Dimensions

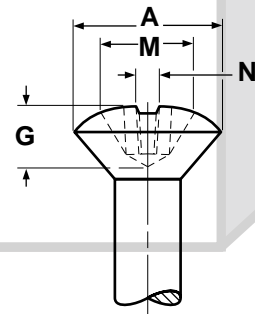
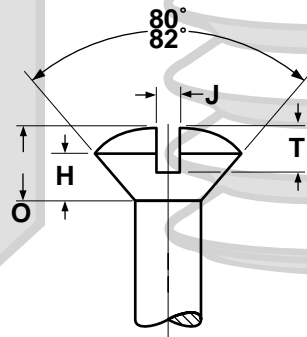
# Wood Screws



### FLAT HEADS FOR WOOD SCREWS

ANSI B18.6.1

Nominal Size	A		H	J		T		M		G		N	Phillips Driver Size
	Head Diameter		Head Height	Width of Slot		Depth of Slot		Dimensions of Recess					
	Max	Min	Ref	Max	Min	Max	Min	Diameter		Depth		Width	
								Max	Min	Max	Min	Min	
3	.199	.171	.059	.035	.027	.027	.017	.107	.094	.068	.052	.018	1
4	.225	.195	.067	.039	.031	.030	.020	.128	.115	.089	.073	.018	1
5	.252	.220	.075	.043	.035	.034	.022	.154	.141	.086	.063	.027	2
6	.279	.244	.083	.048	.039	.038	.024	.174	.161	.106	.083	.029	2
7	.305	.268	.091	.048	.039	.041	.027	.189	.176	.121	.098	.030	2
8	.332	.292	.100	.054	.045	.045	.029	.204	.191	.136	.113	.032	2
9	.358	.316	.108	.054	.045	.049	.032	.214	.201	.146	.123	.033	2
10	.385	.340	.116	.060	.050	.053	.034	.258	.245	.146	.123	.034	3
12	.438	.389	.132	.067	.056	.060	.039	.283	.270	.171	.148	.036	3
14	.507	.452	.153	.075	.064	.070	.046	.283	.270	.171	.148	.036	3



### OVAL HEADS FOR WOOD SCREWS

ANSI B18.6.1

Nominal Size	A		H	O		J		T		M		G		N	Phillips Driver Size	
	Head Diameter		Height of Head		Width of Slot		Depth of Slot		Dimensions of Recess							
	Max	Min	Side Height	Total Height	Max	Min	Max	Min	Max	Min	Diameter		Depth			Width
			Ref	Max							Min	Max	Min	Max		Min
4	.225	.195	.067	.104	.084	.039	.031	.059	.049	.136	.123	.094	.077	.019	1	
5	.252	.220	.075	.116	.095	.043	.035	.067	.055	.158	.145	.085	.061	.028	2	
6	.279	.244	.083	.128	.105	.048	.039	.074	.060	.178	.165	.105	.080	.030	2	
8	.332	.292	.100	.152	.126	.054	.045	.088	.072	.205	.192	.131	.106	.033	2	
9	.358	.316	.108	.164	.137	.054	.045	.095	.078	.216	.203	.144	.119	.034	2	
10	.385	.340	.116	.176	.148	.060	.050	.103	.084	.261	.248	.142	.118	.037	3	