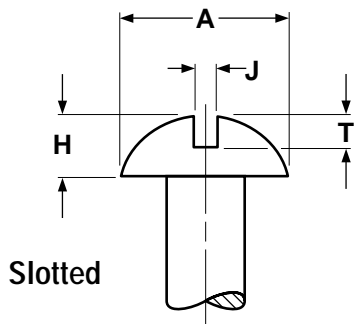


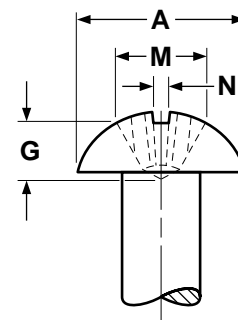
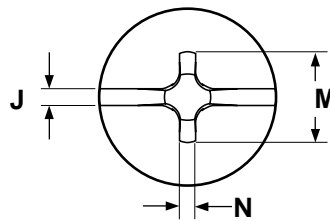
# Combo Round Combo Truss

# Head Dimensions

# Machine Screws



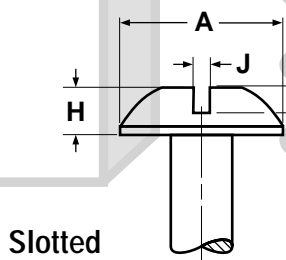
Slotted



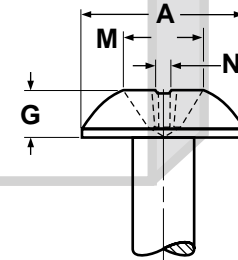
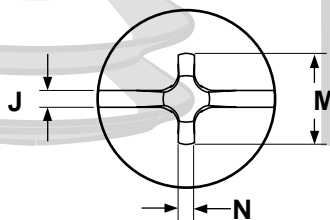
Phillips

## COMBINATION DRIVE ROUND HEADS FOR MACHINE SCREWS

| Nominal<br>Screw<br>Size | A                |      | H              |      | J               |      | T     |      | M                 |      | G     |      | N               | Recess<br>Penetration<br>Gaging<br>Depth |      | Driver<br>Size |
|--------------------------|------------------|------|----------------|------|-----------------|------|-------|------|-------------------|------|-------|------|-----------------|--|------|----------------|
|                          | Head Dimensions  |      |                |      | Slot Dimensions |      |       |      | Recess Dimensions |      |       |      |                 |  |      |                |
|                          | Head<br>Diameter |      | Head<br>Height |      | Width           |      | Depth |      | Diameter          |      | Depth |      | Recess<br>Width |  |      |                |
|                          | Max              | Min  | Max            | Min  | Max             | Min  | Max   | Min  | Max               | Min  | Max   | Min  | Min             | Max                                      | Min  |                |
| 4                        | .211             | .193 | .086           | .075 | .039            | .031 | .058  | .044 | .118              | .105 | .072  | .053 | .019            | .065                                     | .046 | 1              |
| 6                        | .260             | .240 | .103           | .091 | .048            | .039 | .068  | .051 | .162              | .149 | .084  | .056 | .027            | .073                                     | .045 | 2              |
| 8                        | .309             | .287 | .120           | .107 | .054            | .045 | .077  | .058 | .178              | .165 | .101  | .075 | .030            | .090                                     | .064 | 2              |
| 10                       | .359             | .334 | .137           | .123 | .060            | .050 | .087  | .065 | .195              | .182 | .119  | .093 | .031            | .108                                     | .082 | 2              |
| 12                       | .408             | .382 | .153           | .139 | .067            | .056 | .096  | .073 | .249              | .236 | .125  | .099 | .032            | .108                                     | .082 | 3              |
| 1/4                      | .472             | .443 | .175           | .160 | .075            | .064 | .109  | .082 | .268              | .255 | .147  | .121 | .034            | .130                                     | .104 | 3              |
| 5/16                     | .590             | .557 | .216           | .198 | .084            | .072 | .132  | .099 | .308              | .295 | .187  | .161 | .040            | .170                                     | .144 | 3              |
| 3/8                      | .708             | .670 | .256           | .237 | .094            | .081 | .155  | .117 | .387              | .374 | .228  | .202 | .064            | .208                                     | .182 | 4              |



Slotted



Phillips

## COMBINATION DRIVE TRUSS HEADS FOR MACHINE SCREWS

| Nominal<br>Size | A                |      | H                 |      | J             |      | T             |      | M                    |      | G     |      | N     | Recess<br>Penetration<br>Gaging<br>Depth |      | Phillips<br>Driver<br>Size |
|-----------------|------------------|------|-------------------|------|---------------|------|---------------|------|----------------------|------|-------|------|-------|--|------|----------------------------|
|                 | Head<br>Diameter |      | Height of<br>Head |      | Width of Slot |      | Depth of Slot |      | Dimensions of Recess |      |       |      |       |  |      |                            |
|                 |                  |      |                   |      |               |      |               |      | Diameter             |      | Depth |      | Width |  |      |                            |
|                 | Max              | Min  | Max               | Min  | Max           | Min  | Max           | Min  | Max                  | Min  | Max   | Min  | Min   | Max                                      | Min  |                            |
| 4               | .257             | .241 | .069              | .059 | .039          | .031 | .040          | .030 | .112                 | .099 | .069  | .051 | .018  | .062                                     | .044 | 1                          |
| 6               | .321             | .303 | .086              | .074 | .048          | .039 | .050          | .037 | .158                 | .145 | .084  | .059 | .027  | .073                                     | .048 | 2                          |
| 8               | .384             | .364 | .102              | .088 | .054          | .045 | .058          | .045 | .173                 | .160 | .099  | .074 | .029  | .088                                     | .063 | 2                          |
| 10              | .448             | .425 | .118              | .103 | .060          | .050 | .068          | .053 | .188                 | .175 | .115  | .090 | .030  | .104                                     | .079 | 2                          |
| 12              | .511             | .487 | .134              | .118 | .067          | .056 | .077          | .061 | .248                 | .235 | .128  | .103 | .032  | .111                                     | .086 | 3                          |
| 1/4             | .573             | .546 | .150              | .133 | .075          | .064 | .087          | .070 | .263                 | .250 | .143  | .118 | .033  | .126                                     | .101 | 3                          |